



SALES AND SERVICES, LLC.

## Apartment Style Compactor

The I-PAK IE-50 facilitates garbage disposal in high rise chute fed buildings, apartments and institutions. Electric eye operation allows the I-PAK IE-50 to automatically activate the system as waste is generated. This system automatically shuts down when the compaction container is full to allow for easy switch out of the full container.

Ideal for buildings with high volumes of waste, the I-PAK IE-50's powerful compaction force crushes refuse to less than 20% of it's original volume. These are all built to IES Sales and Services' strict quality control for excellent service lifetime.



Copyright IES© All rights reserved 2017

ES Sales & Service, LLC. 2340 NW 147th Street, Opalocka, FL. 33054 | 305 687 9400



SALES AND SERVICES, LLC.

Copyright IES© All rights reserved 2017

## Apartment Style Compactor

### Specifications

---

Manufacturer Rating - .48 Cubic Yard  
Vol. Displacement per Hour - 37.24 Cubic Yards  
Hopper Clear Top opening - 28" X 23"  
Hopper Depth - 28-1/8"  
Overall Length - 72"  
Overall Height - 62-3/4"  
Overall Width - 40-1/4"  
Ram Face Size - 29-3/4" X 18-1/2"  
Ram Penetration - 8-1/2"  
Normal Ram Force - 25,133 lbs.  
Maximum Ram Force - 28,903 lbs.  
Normal Ram Face Pressure - 46 psi.  
Maximum Ram Face Pressure - 53 psi.  
System Pressure - Normal 2,000psi / Max.2,300psi.  
Cycle Time - 46 sec.  
Cylinder - 4" Bore X 32" Stroke w/2" Chrome Shaft  
Floor - 3/8" Plate  
Ram Face - 1/4" Plate  
Sides - 3/16" Plate  
Top Cover - 12 Gauge  
Ram Guide System - Abrasive Resistant Steel

### Features

---

- Ram packs into container a full 8-1/2" inches.
- Automatic eye operation.
- Will not spill trash when container is full.
- Full .48 Cubic Yard Hopper.
- Will not pollute the surrounding area.
- Ideal for high-rise buildings.

### Power Pack Unit Specification

---

Pump - 4 GPM @ 1,800 RPM  
Reservoir - 12 Gal  
Valve - Solenoid  
Pressure Relief Valve - Standard  
Full / Jam Light - Standard  
Oil Sight Gauge - Standard  
Remote Power Unit - Standard  
Controls - Automatic Electric Eye  
Cycle Control - Limit Switches  
Electric Motor - 3 Phz - 60 Htz - 208/230/460 VAC  
Motor - High Torque Hyd. SHP TEFC  
Power Unit Weight - 450 lbs Approx.  
Compactor Weight - 1,350 lbs Approx.

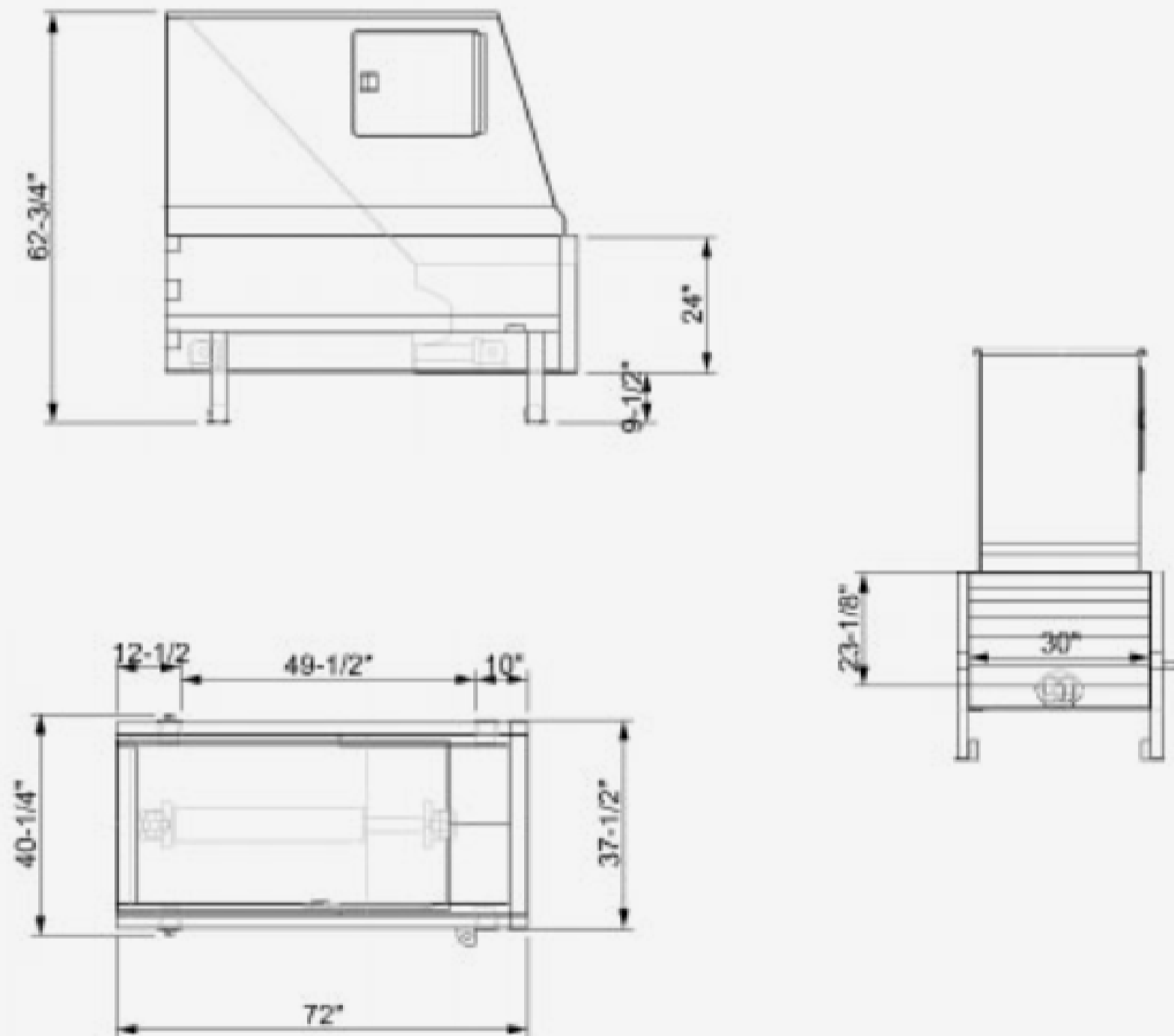


SALES AND SERVICES, LLC.

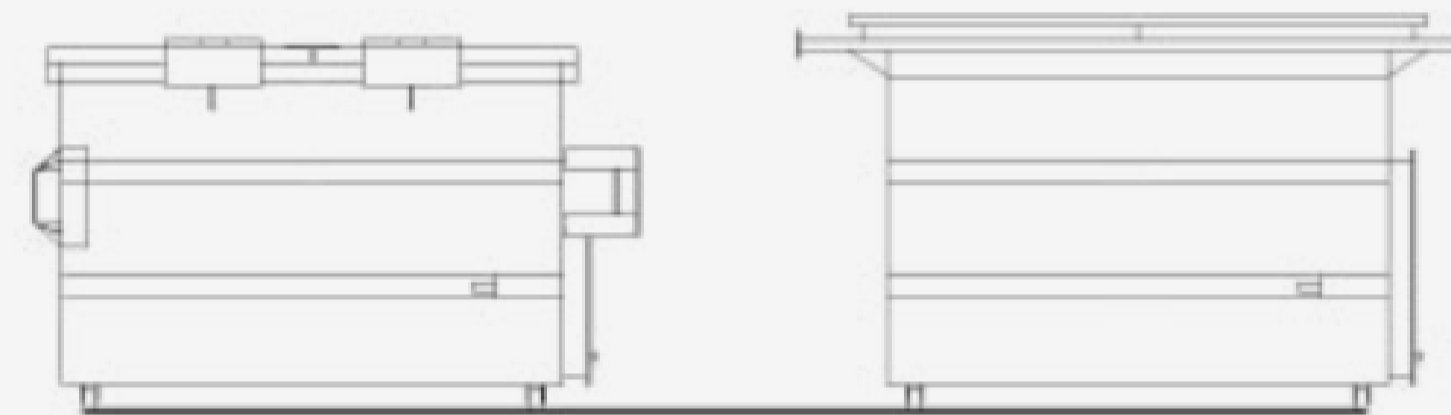
Copyright IES© All rights reserved 2017

## Apartment Style Compactor

### Overall Dimensions



### Compaction Containers: "optional"



2 Cubic Yard Front Load  
Compaction Container

2 Cubic Yard Rear Load  
Compaction Container